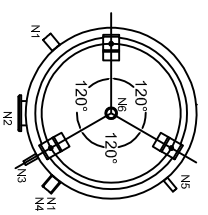
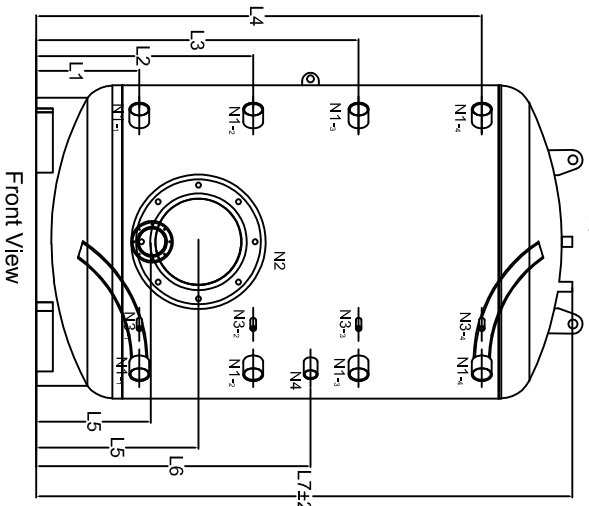


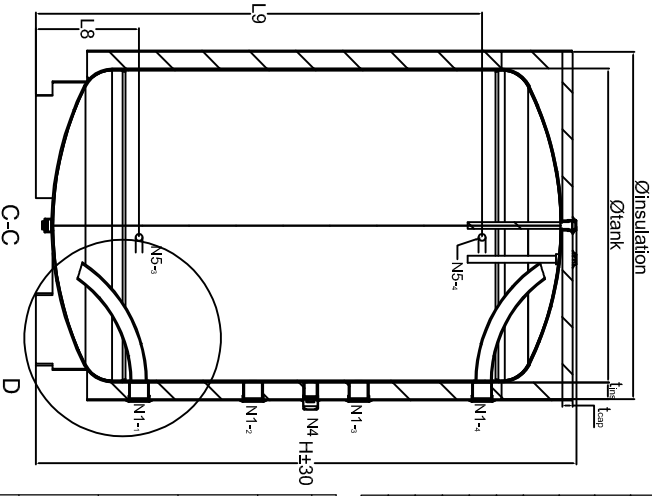
REV NO	REV.	TANIM. DESCRIPTION	REVZYONLAR -REVISIONS	TARİH-DATE	ONAY-APPROVED BY
02	A	Dimensions are updated. Detail D is updated.		17.02.2020	



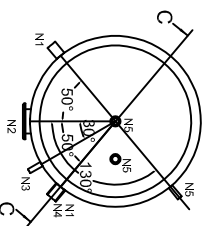
Bottom View



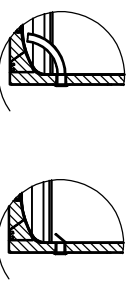
Front View



C-C



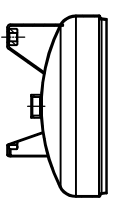
Top View



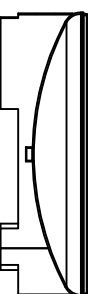
DETAIL D
Quarter bead welded on both N1-1 and N1-4 connections for 800-2000L.

DETAIL D
Baffle is welded on both N1-1 and N1-4 connections for 2500-5000L.

N	DESCRIPTION	CONNECTIONS									
		800	1000	1500	2000	2500	3000	4000	5000		
N1	Water Inlet Outlet Primary/Secondary Route	1 1/2"	1 1/2"	1 1/2"	1 1/2"	2"	2"	3"	3"		
N2	Cleaning Flange	5" 16"	5" 16"	5" 16"	5" 16"	5" 16"	5" 16"	5" 16"	5" 16"		
N3-1	Thermometer and Sensor Connections	1/2" X	1/2" X	1/2" X	1/2" X	1/2"	1/2"	1/2"	1/2"		
N3-2	Thermometer and Sensor Connections	1/2"	1/2" X	1/2"	1/2"	1/2"	1/2"	1/2"	1/2"		
N3-3	Thermometer and Sensor Connections	1/2"	1/2"	1/2"	1/2"	1/2"	1/2"	1/2"	1/2"		
N3-4	Thermometer and Sensor Connections	1/2"	1/2"	1/2"	1/2"	1/2"	1/2"	1/2"	1/2"		
N4	Electric Heater	2"	2"	2"	2"	2"	2"	2"	2"		
N5-1	Magnesium Anode Connections	1 1/4"	1 1/4"	1 1/4"	1 1/4"	1 1/4"	1 1/4"	1 1/4"	1 1/4"		
N5-2	Magnesium Anode Connections	X	X	X	X	X	X	X	X		
N5-3	Magnesium Anode Connections	X	X	X	X	X	X	X	X		
N5-4	Magnesium Anode Connections	X	X	X	X	X	X	X	X		
N6	Drain Connection	1 1/2"	1 1/2"	2"	2"	2"	2"	2"	2"		

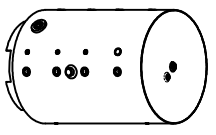


Three-legged for 800, 1000 and 1500 L.



Circular leg for 2000, 2500, 3000, 4000 and 5000 L.

Ø Tank (mm)	Insulation Type	Insulation Thickness (mm)	ENAMELLED ACCUMULATION TANK DIMENSIONS									NET WEIGHT (kg)		
			L1	L2	L3	L4	L5	L6	L7	L8	L9		H	
800	ISO+ 80	16"	50	440	845	1250	1655	440	580	1050	2090	X	2110	135
1000	ISO+ 80	16"	50	400	810	1220	1635	465	595	1015	2030	X	2070	155
1500	ISO+ 100	16"	50	435	925	1410	1900	435	575	1170	2250	X	2277	180
2000	ISO+ 100	16"	50	540	945	1350	1755	540	670	1150	2240	X	2280	205
2500	ISO+ 100	16"	50	425	870	1320	1765	485	620	1095	2130	X	2160	235
3000	ISO+ 100	16"	50	430	1010	1595	2165	490	625	1310	2540	X	2580	265
4000	ISO+ 100	16"	50	500	1045	1550	2135	565	690	1305	2555	500	2085	370
5000	ISO+ 100	16"	50	515	1230	1985	2720	580	695	1670	3210	515	2720	400



Isometric View for 800, 1000, 1500 L.

General Tolerances	General Tolerances	ACIKLAMA - DESCRIPTION	ENAMELLED ACCUMULATION TANK 800-5000 L
Uzunluk Ölçülendi - Linear Dimensions	±10	Kontrol-Check By	A. ORAK
400 up to 1000	±15	Resin No-Draw No	000023A3
1000 up to 3500	±20	Dr-ın No-Product No	KAT
		Malzeme- Material	
		Yatırılma-Date	30.10.2019
		Soyfa-Sheet	A4
		Agrılık - Weight	
		Referans Doküman No -Reference Document No	KAT
		Tolerans-Tolerance Table	
		General Tolerance Table	



BU RESİMİN BÖTÜN HAKLARI KODSAN A.S. AITTİR. TAKLİT EDİLEMEZ. İZİNSİZ ÇİĞAL TILAMAZ. RESİM ÜZERİNDEN BİÇİM ALMAYINIZ. ALL RIGHTS OF THE DRAWING BELONG THE KODSAN WATER HEATER CONSTRUCTION IND. TRADE INC. CANNOT BE COPIED WITHOUT PERMISSION