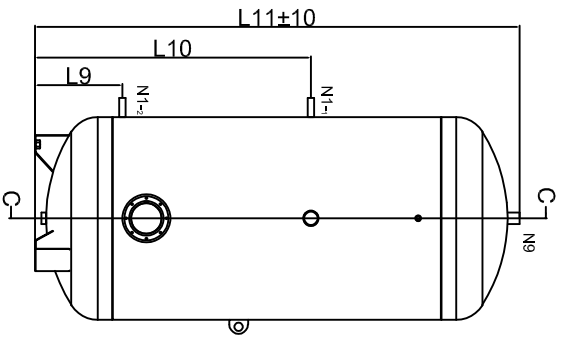
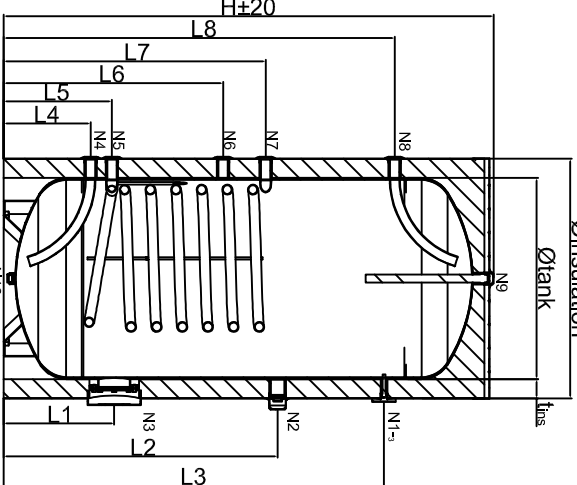


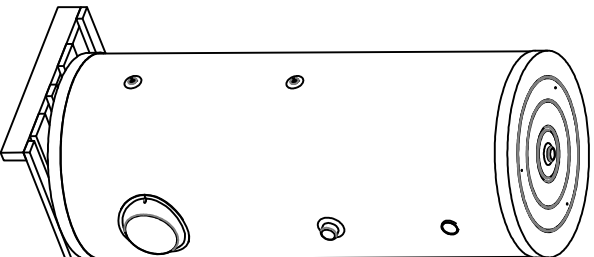
Bottom View



Front View



C-C



Isometric View

REV. NO	REV.	TANIM - DESCRIPTION	TARİH - DATE	OMAY - APPROVED BY
01	A	Dimensions are updated. Weight information is added.	17.01.2020	

REVIZYONLAR-REVISIONS

IN CODE	DESCRIPTION	VOLUME	CONNECTIONS	SURFACE AREA of HEAT EXCHANGER (m ²)	WEIGHT (kg)
N1-1	Thermometer and Sensor Connections	1/2"	1/2"	0,62	50
N1-2	Thermometer and Sensor Connections	3/8"	3/8"	0,62	50
N1-3	Thermometer and Sensor Connections	1/2"	1/2"	0,62	50
N2	Electric Heater Connection	1 1/2"	1 1/2"	0,68	72
N3	Cleaning & Control Flange	4"	4"	0,68	72
N4	Domestic Cold Water Inlet Connection	3/4"	3/4"	0,68	72
N5	Serpentine Outlet Connection	1"	1 1/2"	0,68	72
N6	Redistillation Connection	3/4"	3/4"	0,68	72
N7	Serpentine Inlet Connection	1"	1 1/2"	0,68	72
N8	Domestic Hot Water Outlet Connection	3/4"	3/4"	0,68	72
N9-1	Magnesium Anode	1 1/2"	1 1/2"	0,68	72
N10	Blind Cap	1 1/2"	1 1/2"	0,68	72

BASIC SINGLE SERPENTINE WATER HEATER DIMENSIONS

ØTank	Insulation Type	Insulation (mg (mm))	L1	L2	L3	L4	L5	L6	L7	L8	L9	L10	L11	H	SURFACE AREA of HEAT EXCHANGER (m ²)	WEIGHT (kg)		
100	Ø380	Ø480	PU	50	325	770	905	230	310	440	710	905	230	770	1085	1110	0,62	50
160	Ø480	Ø580	PU	50	335	660	910	235	335	470	610	910	240	660	1110	1135	0,62	62
200	Ø480	Ø580	PU	50	335	660	910	235	335	475	610	1115	280	660	1315	1340	0,68	72
300	Ø480	Ø580	PU	50	335	860	1040	245	335	475	610	1640	240	720	1845	1860	0,68	92
300	Ø500	Ø700	PU	50	340	750	960	245	335	515	695	965	245	745	1195	1220	1,00	89
500	Ø540	Ø740	PU	50	380	825	1050	290	380	575	770	1550	300	825	1820	1845	1,50	118

Genel Toleranslar - General Tolerances		AÇIKLAMA - DESCRIPTION		Çizen-Drawn By		Tolerans-Tolerance Table	
1 up to 400	±10	BASIC SINGLE SERPENTINE WATER HEATER 100-500		L. KARAKOC		General Tolerance Table	
400 up to 1000	±15	Kontrol-Check By		A. ORAK			
1000 up to 5000	±20	Malzeme- Material		000103A1			
		Açıklık - Weight		K3S-B		Referans Doküman No -Reference Document No	
		Soyfa-Sheet		6:113019		K3S-B	



BU RESİMİN BÖTÜN HAKLARI KODSAN A.S. AİTTİR. TAKLİT EDİLEMİZ. İZİNSİZ ÇİZİM, TILAMAZ. RESİM ÜZERİNDEN ALICI ALMAYINIZ. ALL RIGHTS OF THE DRAWING BELONG TO THE KODSAN WATER HEATER CONSTRUCTION IND. TRADE. INC. CANNOT BE COPIED WITHOUT PERMISSION.

6 5 4 3 2 1